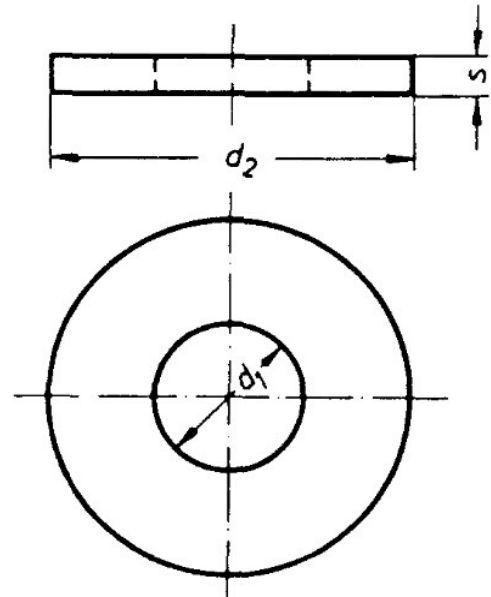




# TRANSHOW INDUSTRY LIMITED

GAOYANG RD, ZHOUSHAN VILLAGE, JIANGSHAN TOWN  
 YINZHOU DISTRICT, NINGBO CITY, 315100 CHINA  
 Tel: +86-574-8736.7873 Fax: +86-574-8736.4349  
 www.transhow.net Email: transhow@transhow.net

## DIN 7349 HEAVY STRUCTURE FLAT WASHERS



| $d_1$ | $d_2$ | $s$ | Weight<br>(7,85 kg/dm <sup>3</sup> )<br>kg/1000 pieces<br>≈ | For clamping<br>sleeves according<br>to DIN 1481<br>Nominal diameter | For<br>thread<br>diameter |
|-------|-------|-----|---|--|---------------------------|
| 3,2   | 9     | 1   | 0,436   | 6  | 3                         |
| 4,3   | 12    | 1,6 | 1,24  | 8  | 4                         |
| 5,3   | 15    | 2   | 2,43  | 10   | 5                         |
| 6,4   | 17    | 3   | 4,59  | 12   | 6                         |
| 8,4   | 21    | 4   | 9,15  | 16   | 8                         |
| 10,5  | 25    | 4   | 12,7  | 18   | 10                        |
| 13    | 30    | 6   | 27,1  | 21   | 12                        |
| 15    | 36    | 6   | 39,6  | 25   | 14                        |
| 17    | 40    | 6   | 48,5  | 28   | 16                        |
| 19    | 44    | 8   | 77,4  | 32   | 18                        |
| 21    | 44    | 8   | 73,4  | 35   | 20                        |
| 23    | 50    | 8   | 97,1  | 38   | 22                        |
| 25    | 50    | 10  | 116   | 40   | 24                        |
| 28    | 60    | 10  | 174   | 45   | 27                        |
| 31    | 68    | 10  | 226   | 50   | 30                        |